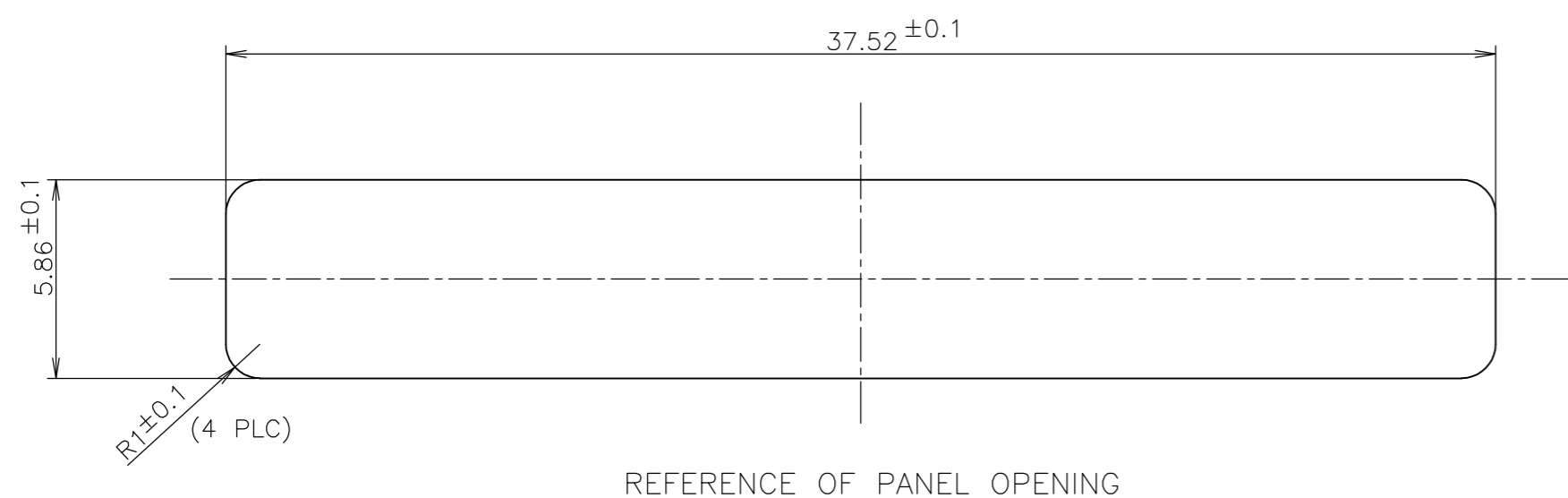
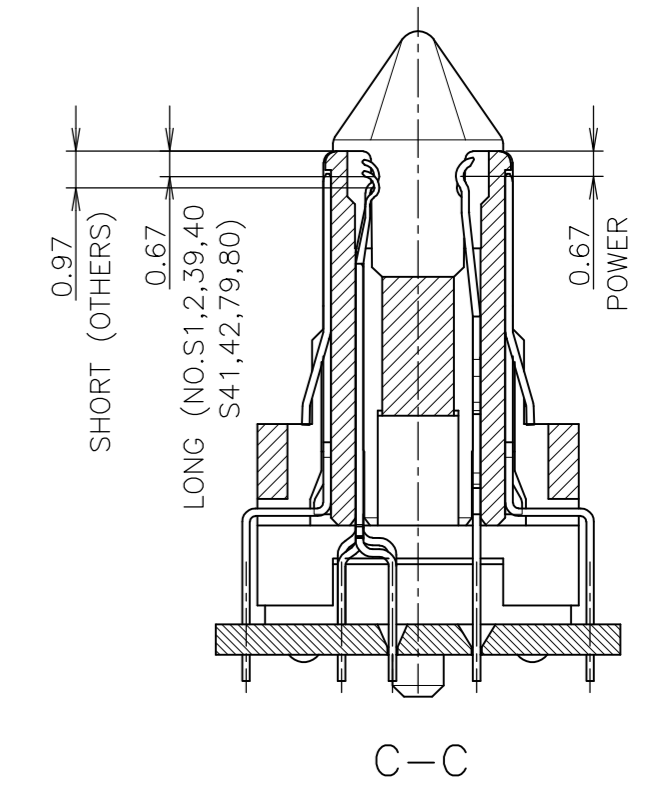
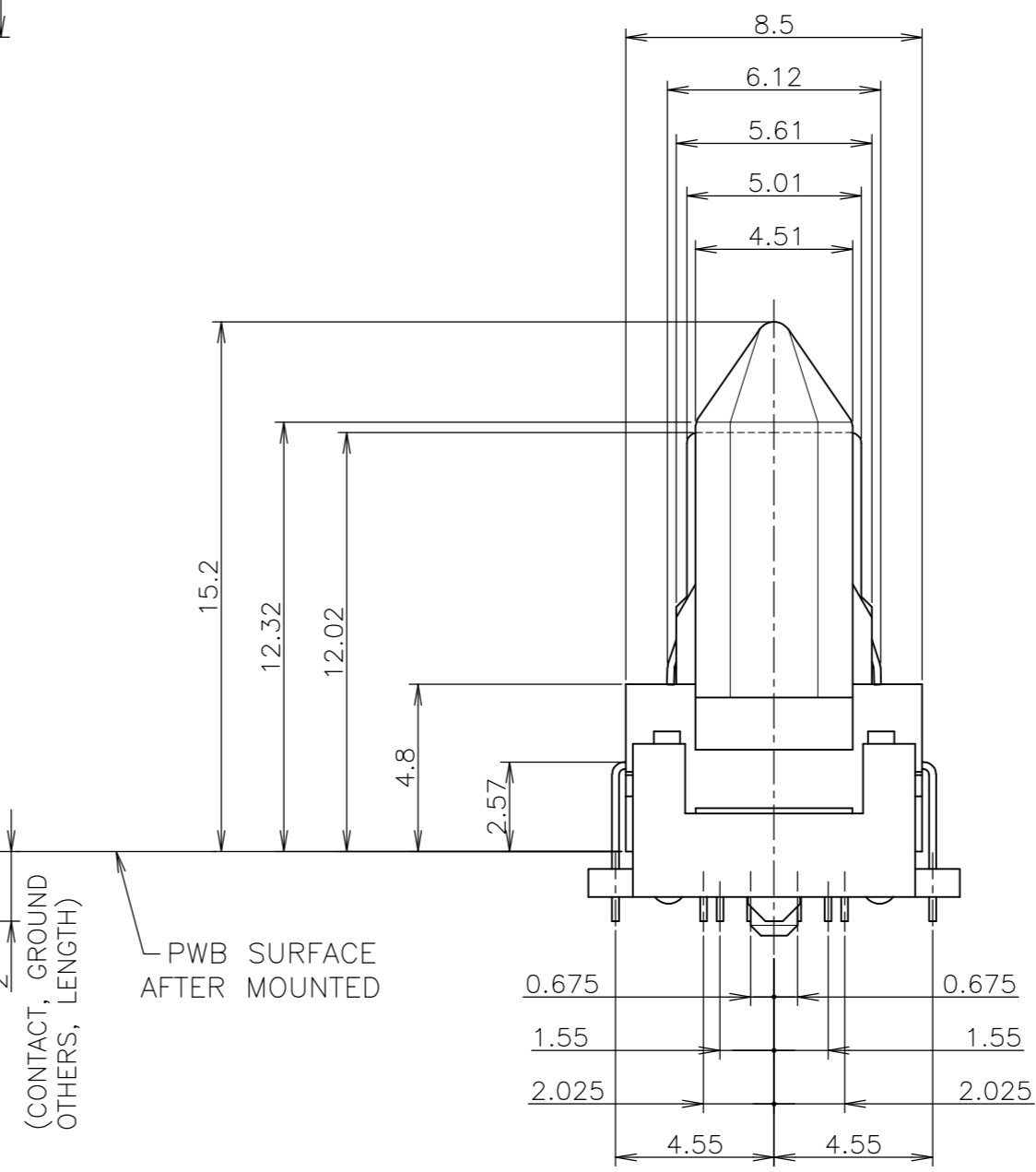
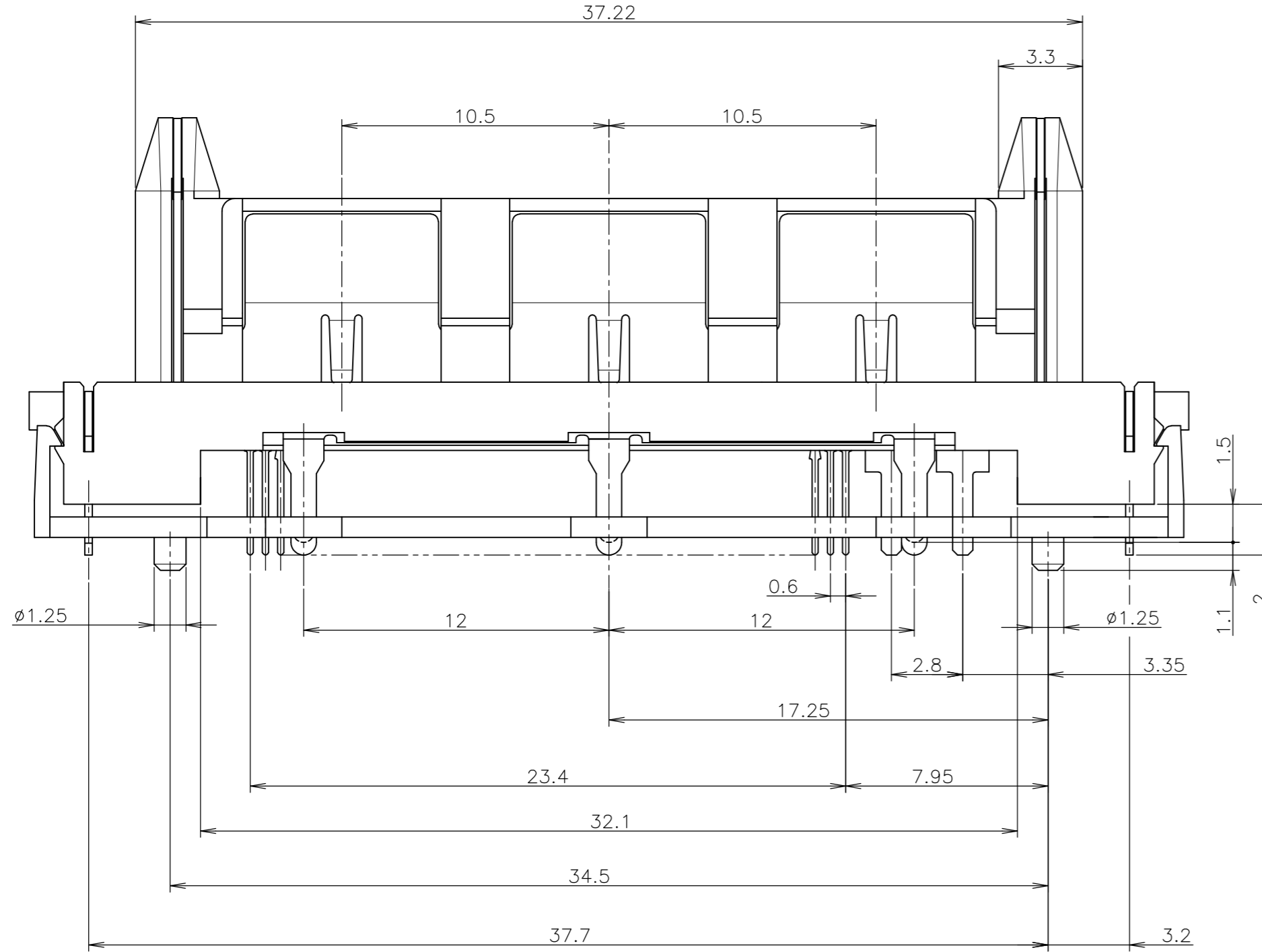
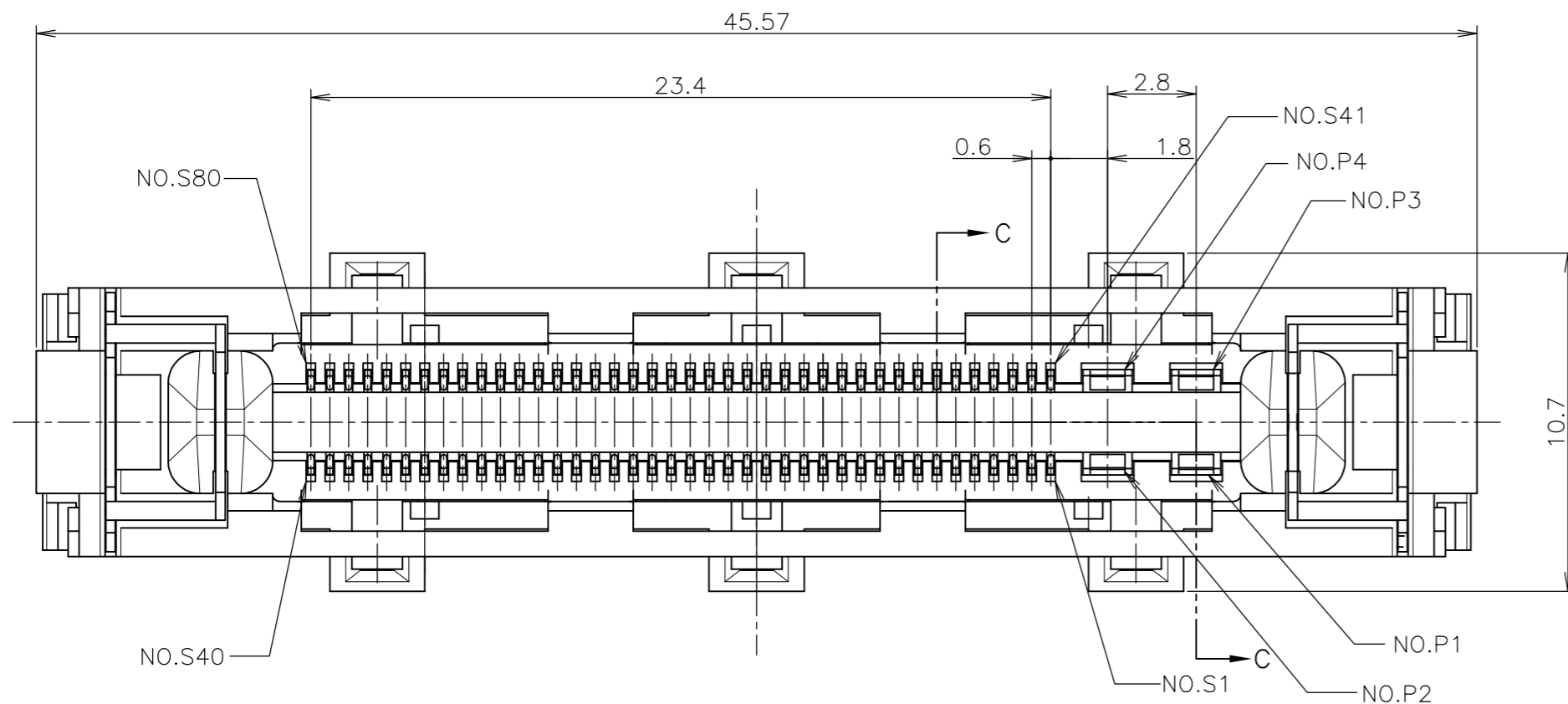


THIS DRAWING IS UNPUBLISHED. RELEASED FOR PUBLICATION AUG, 2004.  
 © COPYRIGHT 2004 By Tyco Electronics Japan G.K. ALL RIGHTS RESERVED.

|     |      |           |     |                       |           |     |      |
|-----|------|-----------|-----|-----------------------|-----------|-----|------|
| LOC | DIST | REVISIONS |     |                       | DATE      | DWN | APVD |
| J   |      | P         | LTR | DESCRIPTION           |           |     |      |
|     |      | B         |     | REVISED ECR-11-015358 | 12JUL2011 | M.T | T.K  |

-1; AS SHOWN

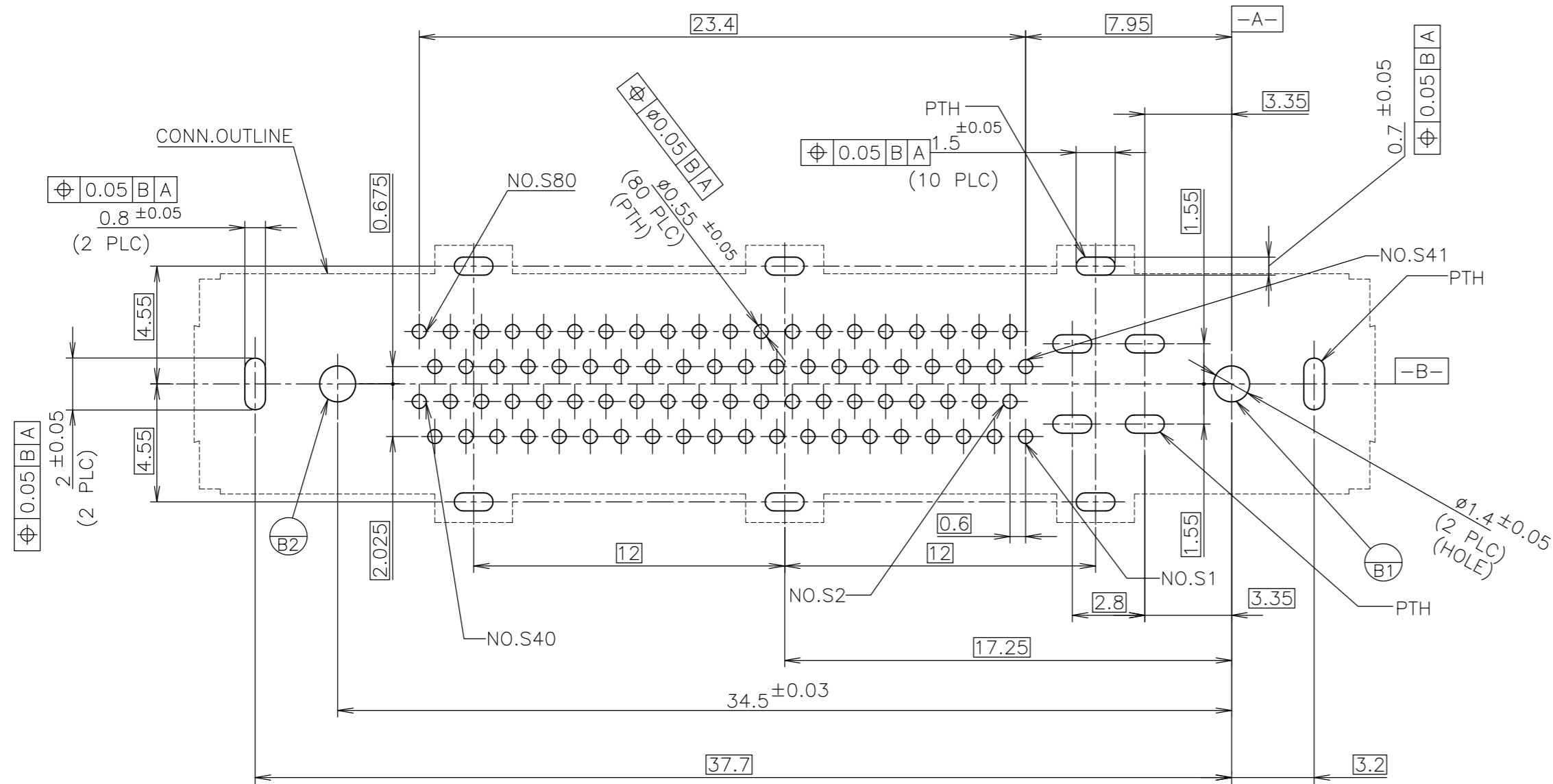


REFERENCE OF PANEL OPENING

GENERAL TOLERANCE  
 一般公差  
 10 ≥ : ±0.2  
 30 > 10: ±0.25  
 100 > 30: ±0.3  
 ANGLES: ±3°

|   |  |  |            |                            |   |                    |                               |
|---|--|--|------------|----------------------------|---|--------------------|-------------------------------|
| THIS DRAWING IS A CONTROLLED DOCUMENT.                          |  | DWN  | 30AUG2004  | <br>TE Connectivity        | NAME<br>0.6 DOCKING CONNECTOR<br>REC 80P + POWER 4P |                    |                               |
| DIMENSIONS: 単位: 概 mm  |  | CHK  | 30AUG2004  |                            |   |                    |                               |
| TOLERANCES UNLESS OTHERWISE SPECIFIED 一般公差                      |  | APVD   | 30AUG2004  |                            |   |                    |                               |
| 0 PLC ±<br>1 PLC ±<br>2 PLC ±<br>3 PLC ±<br>4 PLC ±<br>ANGLES ± |  | N..SASAME<br>S.KAJINUMA<br>Y.YAMAMOTO<br>PRODUCT SPEC<br>製品規格<br>108-78253<br>APPLICATION SPEC<br>取付適用規格 | SIZE<br>A2 |                            |   | CAGE CODE<br>00779 | DRAWING NO<br>番号<br>C=6674147 |
| MATERIAL 材料<br>   |  | FINISH 仕上<br>  |            | WEIGHT<br>CUSTOMER DRAWING | SCALE<br>尺度 5:1                                     | SHEET<br>1 of 3    | REV<br>B                      |

| LOC | DIST | REVISIONS |     |             |      |     |      |
|-----|------|-----------|-----|-------------|------|-----|------|
|     |      | P         | LTR | DESCRIPTION | DATE | DWN | APVD |
| J   |      | -         | -   | SEE SHEET 1 | -    | -   | -    |



REC RECOMMENDED P.C.BOARD LAYOUT  
(REFERENCE)

- △ 材質  
 ハウジング: 熱可塑性樹脂 UL94V-0, 黒  
 シグナルコンタクト: 銅合金  
 パワーコンタクト: 銅合金  
 グランドプレート, ESDコンタクト: 銅合金  
 タイムプレート: 熱可塑性樹脂 UL94V-0, 黒
- △ 仕上げ  
 シグナルコンタクト & パワーコンタクト:  
 ニッケル下地接点部金めっき、はんだ付け部すずめっき  
 グランドプレート: 無光沢すずめっき  
 ESDコンタクト: すずめっき
- 適用基板厚: 1.2±0.1mm
  - かん合相手型番: 6674154-1
  - トレイ 材質: PS 色: NATURAL
  - トレイの寸法とコネクタの方向は本図を参照のこと
  - 一般公差: ±0.3 ±3'
  - 数量: 55EA/TRAY

- △ MATERIAL  
 HOUSING, TIME PLATE: THERMOPLASTIC, UL94V-0, BLACK  
 SIGNAL CONTACT: COPPER ALLOY  
 POWER CONTACT: COPPER ALLOY  
 GROUND PLATE, ESD CONTACT: COPPER ALLOY
- △ FINISH  
 SIGNAL CONTACT & POWER CONTACT:  
 Au PL. ON CONTACT AREA  
 TIN PL. ON SOLDER AREA  
 Ni UNDER PL. ALL OVER  
 GROUND PLATE:  
 TIN PL. ALL OVER (MATTE)  
 ESD CONTACT: TIN PL. ALL OVER
- APPLICABLE THICKNESS OF P.C.BOARD: 1.2±0.1mm
  - CONNECTOR TO BE MATED: 6674154-1
  - TRAY MATERIAL; PS COLOR; NATURAL
  - THE DIRECTION OF EACH CONNECTOR ON A TRAY IS REFERRED TO THIS DRAWING.
  - GENERAL TOLERANCE: ±0.3 ±3'
  - QUANTITY: 55EA/TRAY

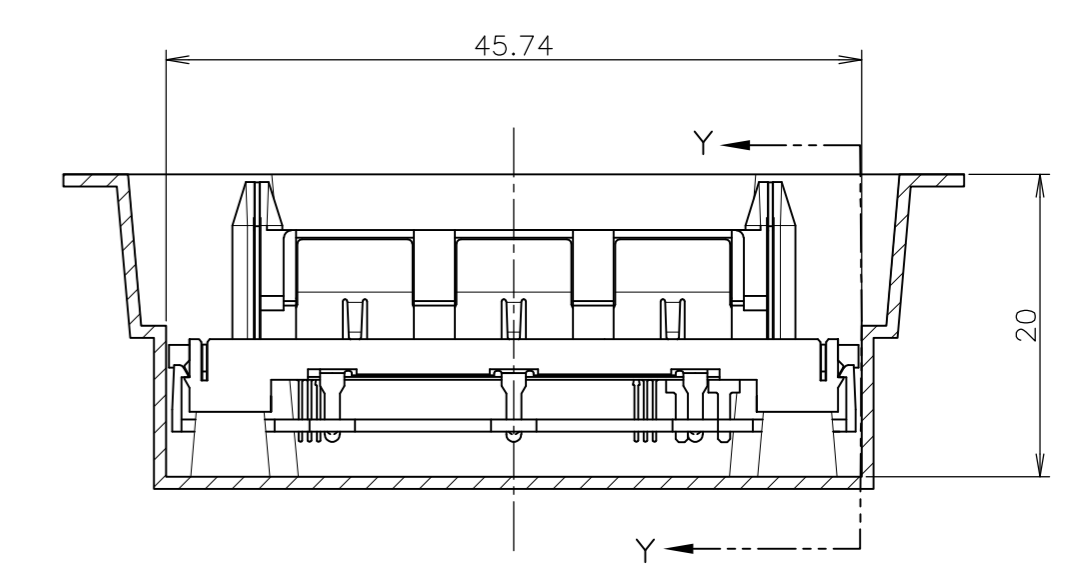
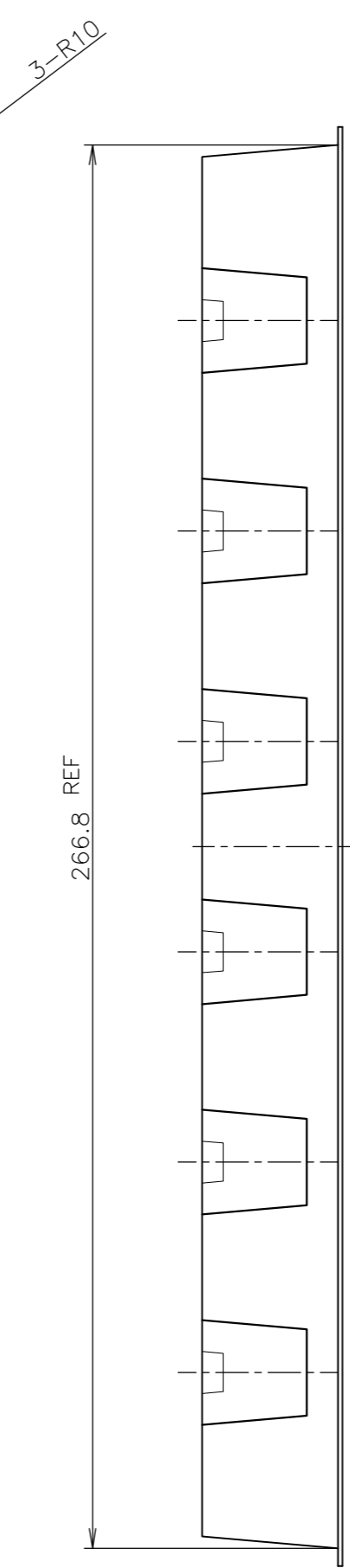
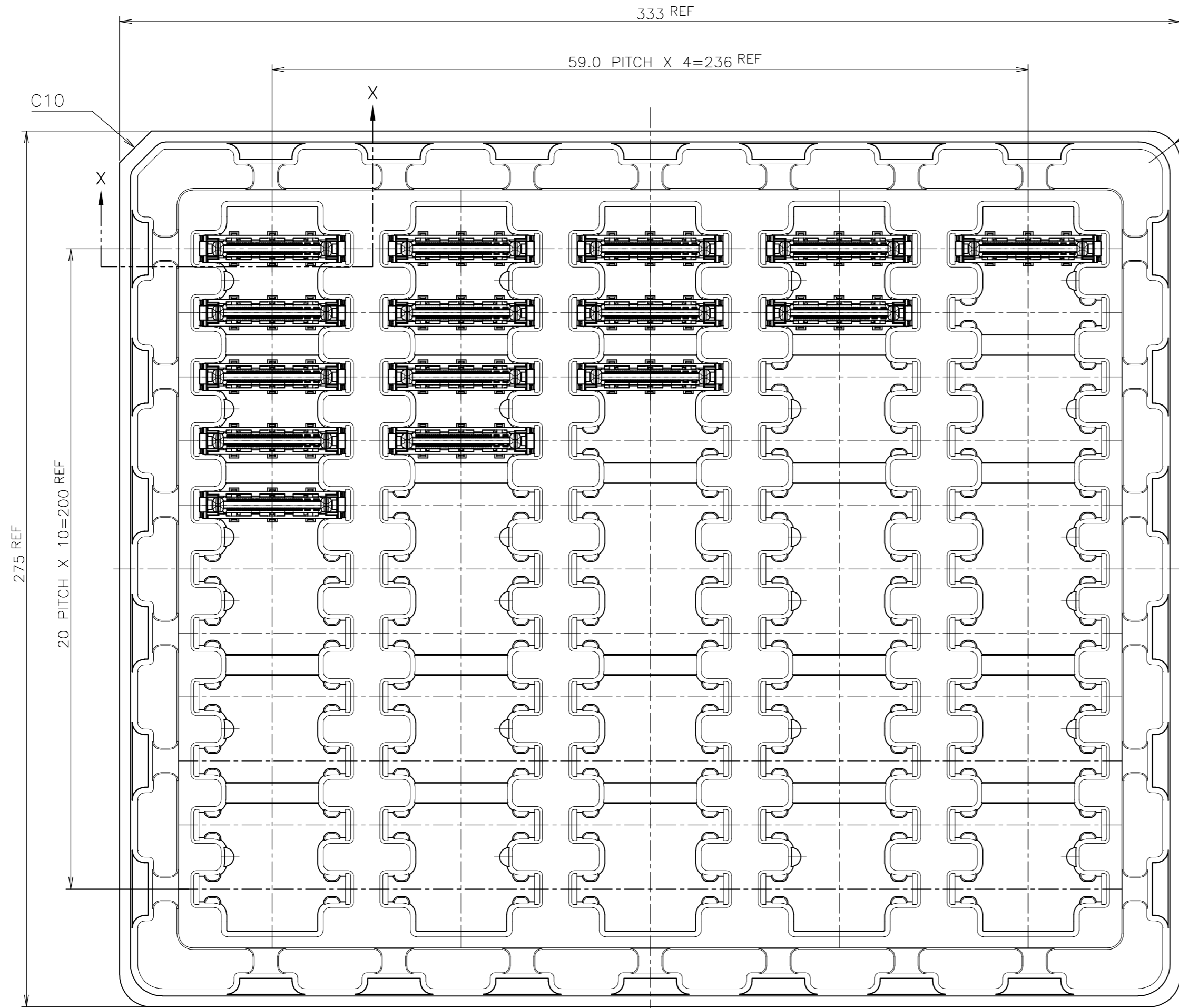
6674147

|   |  |                  |                       |            |
|---|--|------------------|-----------------------|------------|
| THIS DRAWING IS A CONTROLLED DOCUMENT.      |  | DWN              | TE Connectivity       |            |
| DIMENSIONS: 単位: 概 mm                        |  | CHK              |                       |            |
| TOLERANCES UNLESS OTHERWISE SPECIFIED: 一般公差 |  | APVD             | NAME 名称               |            |
| 0 PLC ±                                     |  | PRODUCT SPEC     | 0.6 DOCKING CONNECTOR |            |
| 1 PLC ±                                     |  | APPLICATION SPEC | REC 80P + POWER 4P    |            |
| 2 PLC ±                                     |  | WEIGHT           | SIZE                  | CAGE CODE  |
| 3 PLC ±                                     |  | CUSTOMER DRAWING | A2                    | 00779      |
| 4 PLC ±                                     |  |                  | SCALE                 | DRAWING NO |
| ANGLES ±                                    |  | SCALE 5:1        | 番号                    |            |
| FINISH 仕上                                   |  | SHEET 2 of 3     | 6674147               |            |
|   |  | REV B            |                       |            |

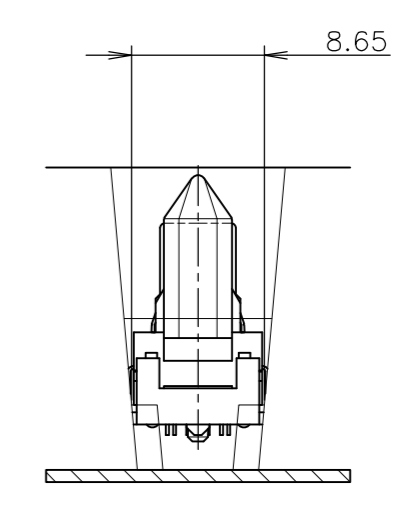
THIS DRAWING IS UNPUBLISHED. RELEASED FOR PUBLICATION AUG , 2004.  
 © COPYRIGHT 2004 By Tyco Electronics Japan G.K. ALL RIGHTS RESERVED.

| LOC | DIST | REVISIONS |     |             | DATE | DWN | APVD |
|-----|------|-----------|-----|-------------|------|-----|------|
| J   |      | P         | LTR | DESCRIPTION |      |     |      |
|     |      | -         |     | SEE SHEET 1 | -    | -   | -    |

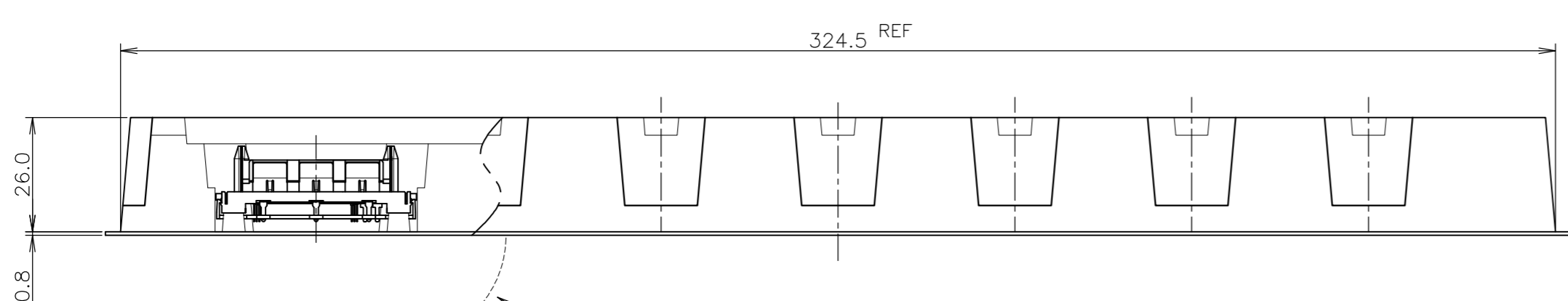
# SEMI HARD TRAY ASSY



DETAIL D  
SCALE 2:1



Y-Y



X-X  
DETAIL D

|   |  |                            |   |               |
|---|--|----------------------------|---|---------------|
| THIS DRAWING IS A CONTROLLED DOCUMENT.                                    |  | DWN                        | TE Connectivity                             |               |
| DIMENSIONS:<br>単位: 純 mm   |  | CHK                        |   |               |
| TOLERANCES UNLESS OTHERWISE SPECIFIED<br>一般公差                             |  | APVD                       | NAME 名称                                     |               |
| 0 PLC ±<br>1 PLC ± -<br>2 PLC ± -<br>3 PLC ± -<br>4 PLC ± -<br>ANGLES ± - |  | PRODUCT SPEC<br>製品規格       | 0.6 DOCKING CONNECTOR<br>REC 80P + POWER 4P |               |
| MATERIAL 材料   |  | APPLICATION SPEC<br>取付適用規格 | SIZE  | CAGE CODE     |
| FINISH 仕上   |  | WEIGHT                     | A2  | 00779         |
|   |  | CUSTOMER DRAWING           | DRAWING NO 番号                               | RESTRICTED TO |
|   |  |                            | C=6674147                                   |               |
|   |  |                            | SCALE 尺度                                    | SHEET 3 of 3  |
|   |  |                            | NTS   | REV B         |